

Abseil Anchor Point

3M

Abseil Anchor Point - 2101734

A timber truss or steel purlin mounted roof anchor that is ideal for both residential and commercial applications.

The 2101734 anchor provides an economical solution for fall protection during the initial construction stage as well as future roof access and maintenance.

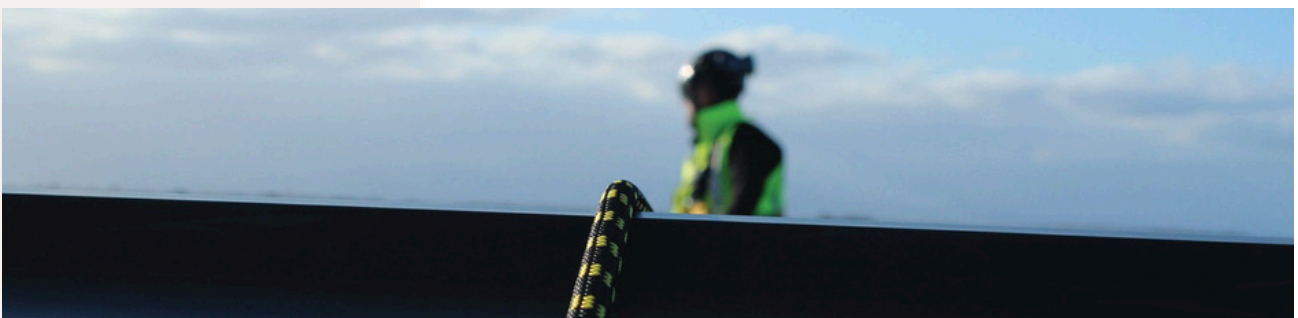
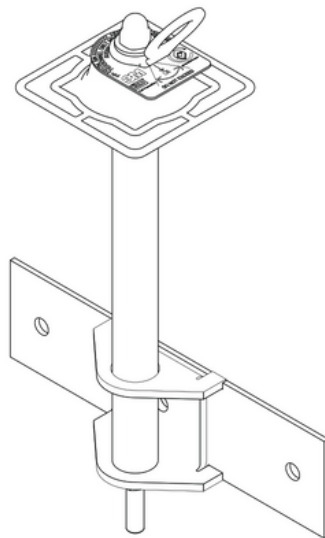


HOW IT IS USED

3M 2101734 anchor is designed to be installed to building roofs. The anchors provide fall protection and abseil for Operatives doing a range of activities including roof wash downs, installing & maintaining HVAC air conditioning units, general maintenance or gutter cleaning. The anchors are designed to support and hold a person in the event of a fall, and support a person for abseil access.

HOW IT WORKS

Large anchorage eye making connection quick and easy for the user. Load distributing design protects roof and user.



PERFORMANCE

Conforms to AS/NZS 1891.4:2009 - industrial fall-arrest systems and devices - Selection, use and maintenance, designed for and tested on most roof types, has been designed to withstand a 15kN load. All anchors are certified to the requirements of AS/NZS 5532 as a single person fall arrest anchor point able to sustain a force of 15kN.

INSTALLATION

Installation must be carried out by an accredited 3M Fall Protection Certified Technician, and in accordance with the manufacturer's installation instructions. Can be installed during roof construction or as a retrofit from the top of the roof surface.

MAINTENANCE

As per AS/NZS 1891.4 must be certified every 12 months by an Accredited 3M Fall Protection Certification technician. All of the exposed materials in the system have specified as naturally corrosion resistant, or have been coated with sacrificial coatings to prevent oxidisation of the base material. It is important to consider that in some environments the system may need to be cleaned to gain the best possible life expectancy from the materials.



WARRANTY

3M™ warrants the 2101734 anchor and its component parts against factory defects in workmanship and materials for 10 years from its date of original purchase from 3M. Conditions that must be fulfilled include the system must be installed in accordance with 3M's installation instructions. The system is inspected in accordance with 3M's inspection instructions and annually recertified by a certified installer. Fixings must be tested at installation and then at least once a year and recorded in accordance with 3M's installation instructions. The system must be owned by the person making the warranty claim. The system has been properly used and maintained in accordance with its user instruction manual.

ENVIRONMENTAL

Alta Safety is committed to reducing its impact on the environment.

We will strive to improve our environmental performance over time and to initiate additional projects and activities that will further reduce our impacts on the environment.

Our commitment to the environment extends to our customers, our staff, and the community in which we operate. We are committed to supplying products with primary components made of recyclable material and is supplied with minimum packaging to retain its structure and integrity during transit.

We will continually measure our environmental impacts and aim to reduce these impacts.

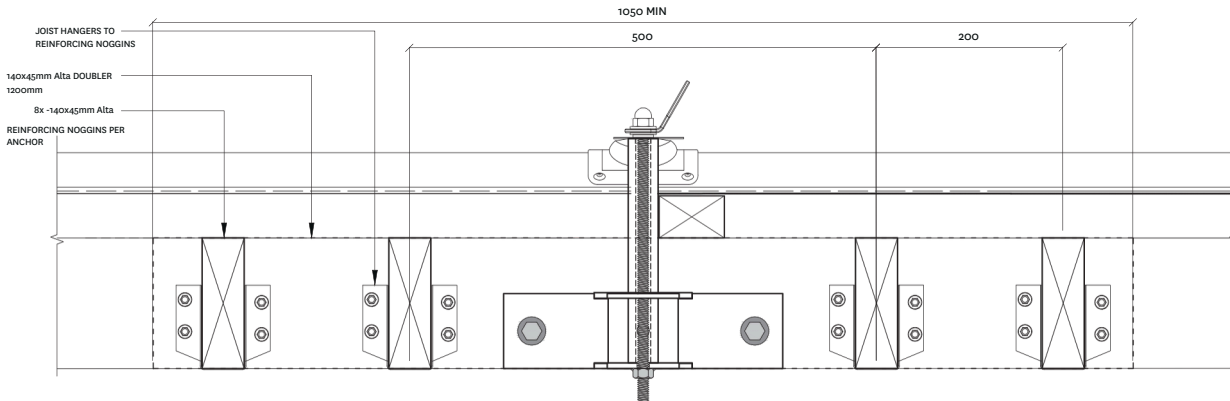
TECHNICAL DRAWING – 2101734 Abseil Anchor Point

NOTE:
This product is designed, used, installed and maintained in accordance with supporting technical information and additional conditions. Anchors have been installed to comply with AS/NZS 1891.4:2009 and are rated to 15kN. This anchor is suitable for 1 person for Abseil and Fall Arrest. Reading instruction manual prior to use is essential. To be installed by accredited person. Annual inspection & re-certification is required as per AS/NZS 1891.4:2009.

 Rate to 15kN



TO EACH END



© Copyright Alta Safety Limited
Under Copyright: No. no part of this document may be reproduced in any form, without prior written permission of Alta.

Rev	Description	By	Date
A	Alta Anchor to Truss	JC	09/10/18
B	Alta Anchor to Truss	JC	09/11/18
C	Alta Anchor to Truss	JC	26/11/18
D	Truss Abseil Anchor to Truss	JC	07/02/19

ALTA
SAFETY

Alta Safety Limited

Unit 7, 2 Distribution Lane,
Sockburn, Christchurch, 8042

Free Phone: 0800 115 396
Ph: +63 3 265 9959

altasafety.com

Client:

Project Number:

Project:

Drawing Number:

Revision:
D

Drawn:

Checked:

Date:

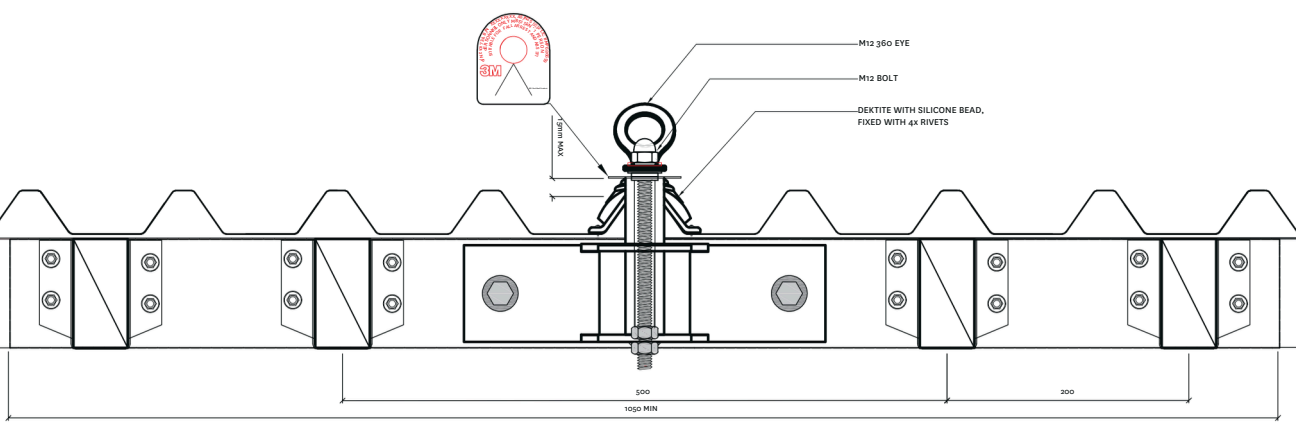
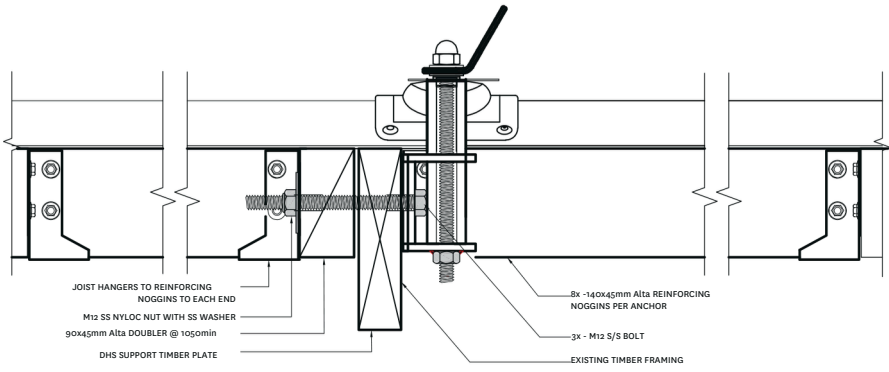
Scale:
1:3, 1:4@A3

TECHNICAL DRAWING - 2101734 Abseil Anchor to Timber Framing

NOTE: This product is designed, used, installed and maintained in accordance with supporting technical information and additional conditions. Anchors have been installed to comply with AS/NZS 1891.4:2009 and are rated to 15kN. This anchor is suitable for 1 person for Abseil and Fall Arrest. Reading instruction manual prior to use is essential. To be installed by accredited person. Annual inspection & re-certification is required as per AS/NZS 1891.4:2009.

© Copyright Alta Safety Limited
Under Copyright law, no part of this document may be reproduced in any form, without prior written permission of Alta.

Rev	Description	By	Date
A	Issue issue		



ALTA SAFETY

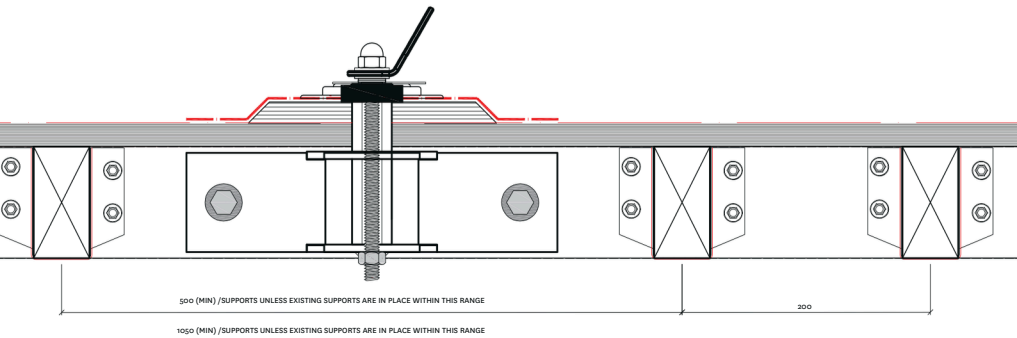
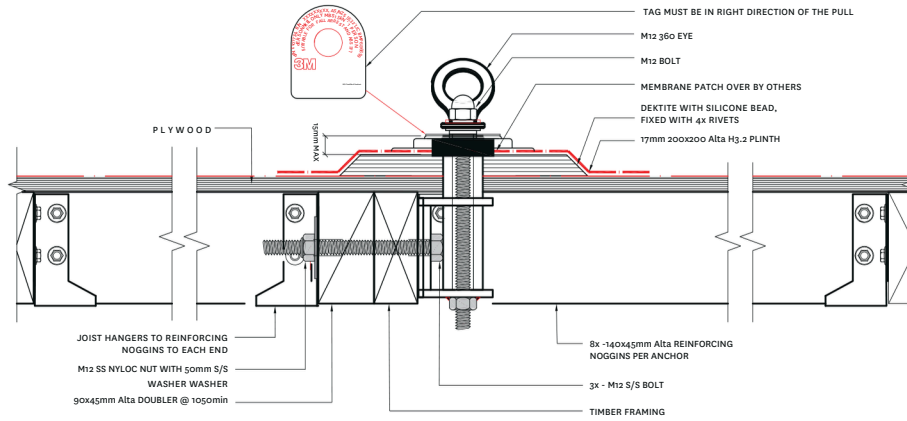
Alta Safety Limited
 Unit 7, 1 Distribution Lane,
 Seaford, Christchurch, NZ
 Free Phone: 0800 115 396
 F: +64 3 955 0539
 altasafety.com

Project: _____
 Description: _____
Abseil Anchor to Timber Framing
 Project Number: _____
 Client: _____
 Drawing Number: _____
 Revision: **A**
 Drawn: _____
 Checked: _____
 Date: _____
 Scale: NTS@A3

TECHNICAL DRAWING – 2101734 Abseil Anchor to Timber Framing

NOTE: This product is designed, used, installed and maintained in accordance with supporting technical information and additional conditions. Anchors have been installed to comply with AS/NZS 1891.4:2009 and are rated to 15kN. This anchor is suitable for 1 person for Abseil and Fall Arrest. Reading instruction manual prior to use is essential. To be installed by accredited person. Annual inspection & re-certification is required as per AS/NZS 1891.4:2009.

 Rate to 15kN



© Copyright Alta Safety Limited
Under Copyright law, no part of this document may be reproduced in any form, without prior written permission of Alta.

Rev	Description	By	Date
A	Issue issue	ML	18/07/2020

ALTA SAFETY

Alta Safety Limited
 Unit 7, 2 Distribution Lane,
 Stockburn, Christchurch, 8042
 Free Phone: 0800 115 396
 P. +64 3 351 0509
 altasafety.com

Project: _____
 descip: _____
Abseil Anchor to Truss
 Project Number: _____
 Client: _____
 Drawing Number: _____ Revision: _____
 Drawn: _____
 Checked: _____
 JF
 Date: _____ Scale: _____
 NTS@A3

TECHNICAL DRAWING - 2101734 Abseil Anchor to Timber Substrate



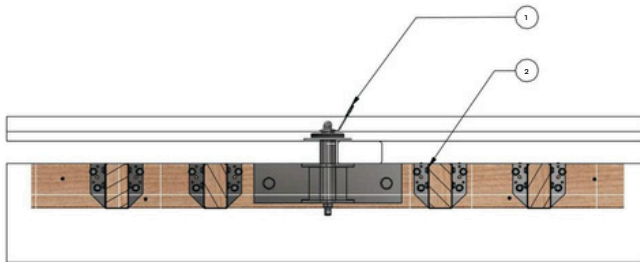
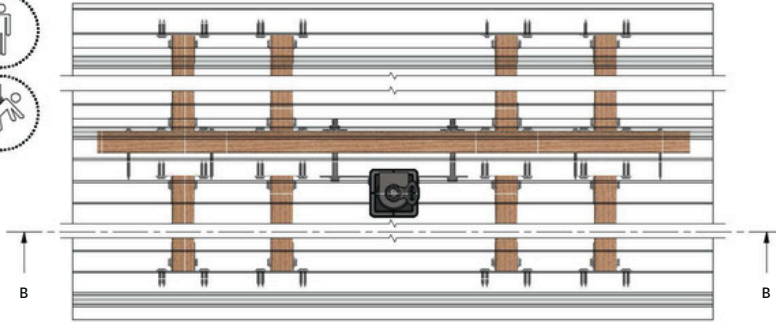
Rate to
15kN

ITEM		PART NUMBER		DESCRIPTION	
ITEM	QTY	PARTS LIST			
1	1	40012 6		2101734	rough Bolt Fall Arrest Alta FA
2	1	40013 2			Strengthening

© Copyright Alta Safety Limited
Under Copyright law, no part of this document may be reproduced in any form, without prior written permission of Alta.

REVISION HISTORY			
REV	AFFECTS	ISSUED	DATE
	DESCRIPTION		

NOTE :
This product is designed, used, installed and maintained in accordance with supporting technical information and additional conditions. Anchors have been installed to comply with AS/NZS 1891.4:2009 and are rated to 15kN. is anchor is suitable for 1 person for Fall Arrest Only. Reading instruction manual prior to use is essential. To be installed by accredited person. Annual inspection & re-certification is required as per AS/NZS 1891.4:2009.



SCALE 1:7.5
SECTION B-B



Alta Safety Limited
Unit 7, 1 Distribution Lane,
Sockburn, Christchurch, 8043
Free Phone: 0800 115 396
P: +64 3 395 0519
altasafety.com

Client: _____
Description: _____
Project Number: _____
Project: _____
Drawing Number: _____ Sheet Size: **AS**
Drawn: _____
Checked: _____
Date: _____ Scale: 1:7.5

CHRISTCHURCH

Unit 7, 2 Distribution Lane,
Sockburn, Christchurch 8042

AUCKLAND

B7 / 930 Great South Road
Penrose, Auckland
1061

WELLINGTON

Unit 8, 16 Jamaica Drive,
Grenada North, Wellington 5028

design@altasafety.com



TECHNICAL DRAWINGS KEY



Rate to
15kN



Person
Capacity



Abseil



Fall Arrest



Restraint
Technique