

# Abseil Anchor Point

## 3M

### Abseil Anchor Point - 2101735

A C or Z section steel purlin mounted roof anchor that is ideal for both residential and commercial applications.

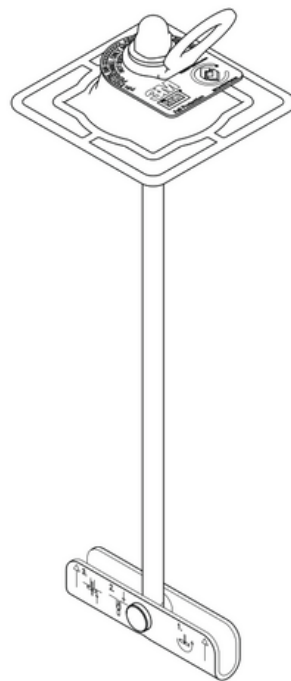
The 2101735 anchor provides an economical solution for fall protection during the initial construction stage as well as future roof access and maintenance. All of the 2101735 anchor components are manufactured from 316 grade stainless steel and are able to sustain a load of up to 15kN for single person use.

#### HOW IT IS USED

3M 2101735 anchor is designed to be installed to building roofs. The anchors provide fall protection and abseil for Operatives doing a range of activities including roof wash downs, installing & maintaining HVAC air conditioning units, general maintenance or gutter cleaning. The anchors are designed to support and hold a person in the event of a fall, and support a person for abseil access.

#### HOW IT WORKS

Large anchorage eye making connection quick and easy for the user. Load distributing design protects roof and user.



## PERFORMANCE

Conforms to AS/NZS 1891.4:2009 - industrial fall-arrest systems and devices - selection, use and maintenance, designed for and tested on most roof types, has been designed to withstand a 15kN load. All anchors are certified to the requirements of AS/NZS 5532 as a single person fall arrest anchor point able to sustain a force of 15kN.

## INSTALLATION

Installation must be carried out by an accredited 3M Fall Protection Certified Technician, and in accordance with the manufacturer's installation instructions for service mounted systems. Can be installed during roof construction or as a retrofit from the top of the roof surface.

## MAINTENANCE

As per AS/NZS 1891 must be certified every 12 months by an Accredited 3M Fall Protection Certification technician. All of the exposed materials in the system have specified as naturally corrosion resistant, or have been coated with sacrificial coatings to prevent oxidation of the base material. It is important to consider that in some environments the system may need to be cleaned to gain the best possible life expectancy from the materials.



## WARRANTY

3M™ warrants the 2101735 anchor and its component parts against factory defects in workmanship and materials for 10 years from its date of original purchase from 3M. Conditions that must be fulfilled include the system must be installed in accordance with 3M's installation instructions. The system is inspected in accordance with 3M's inspection instructions and annually recertified by a certified installer. Fixings must be tested at installation and then at least once a year and recorded in accordance with 3M's installation instructions. The system must be owned by the person making the warranty claim. The system has been properly used and maintained in accordance with its user instruction manual.

## ENVIRONMENTAL

Alta Safety is committed to reducing its impact on the environment.

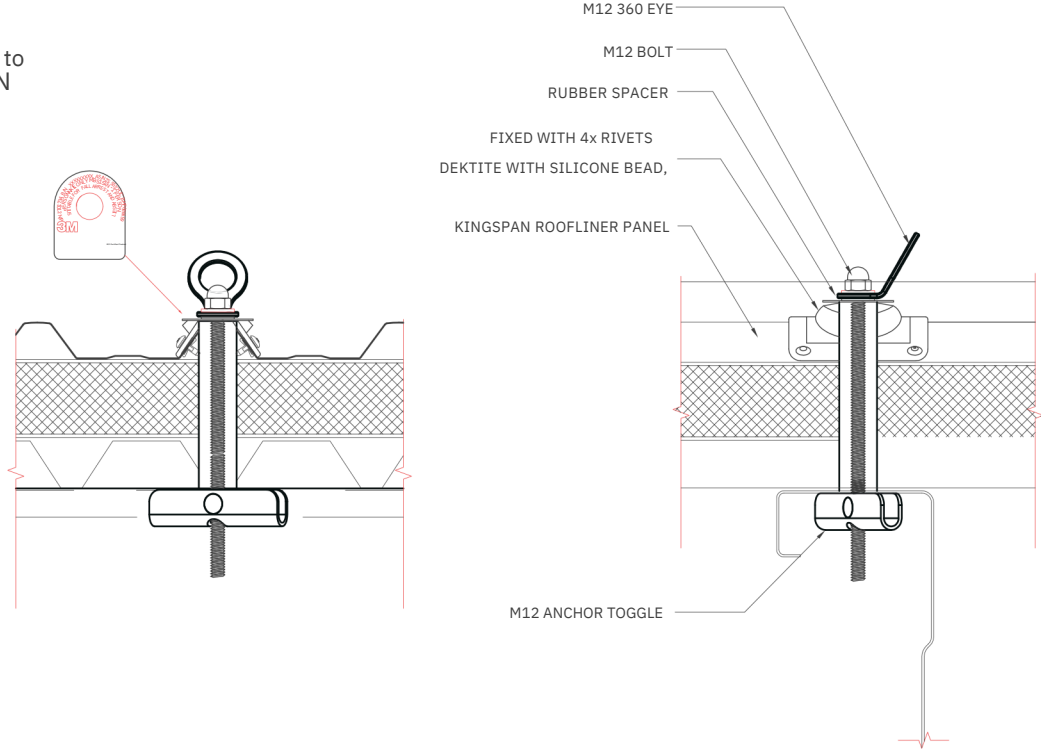
We will strive to improve our environmental performance over time and to initiate additional projects and activities that will further reduce our impacts on the environment.

Our commitment to the environment extends to our customers, our staff, and the community in which we operate. We are committed to supplying products with primary components made of recyclable material and supplied with minimum packaging to retain structure and integrity during transit.

We will continually measure our environmental impacts and aim to reduce these impacts.

**TECHNICAL DRAWING - 2101735 Abseil Anchor to DHS Purlin**

**NOTE:** This product is designed, used, installed and maintained in accordance with supporting technical information and additional conditions. Anchors have been installed to comply with AS/NZS 1891.4:2009 and are rated to 15kN. This anchor is suitable for 1 person for Fall Arrest & Abseil. Reading instruction manual prior to use is essential. To be installed by accredited person. Annual inspection & re-certification is required as per AS/NZS 1891.4:2009.



© Copyright AltaSafety Limited  
 Under Copyright law, no part of this document may be reproduced in any form, without prior written permission of Alta.

Rev	Description	By	Date
A	FIRST ISSUE	ML	31/08/2020

**ALTA SAFETY**

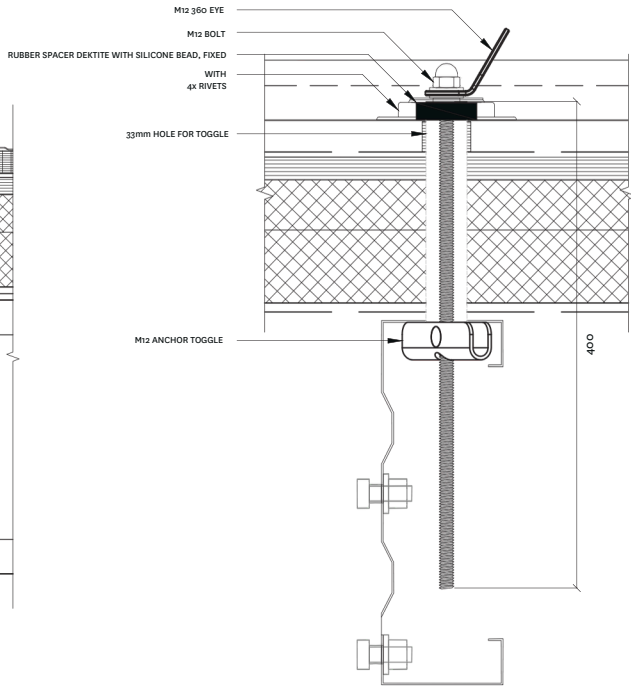
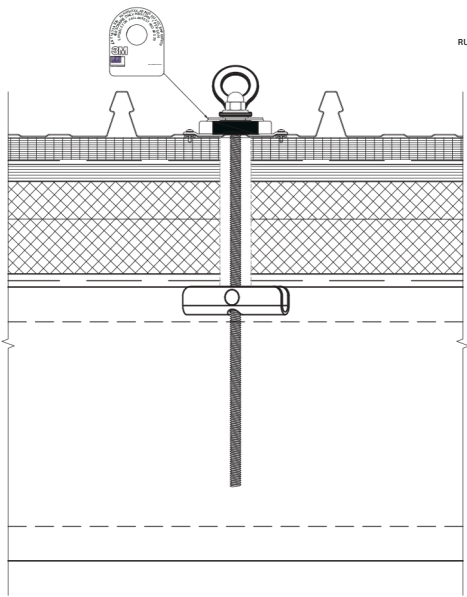
Alta Safety Limited  
 Unit 3, 1000/1001 Ave,  
 Sockburn, Christchurch, 8042

Free Phone: 0800 115 336  
 P: +64 3 385 9589  
 altasafety.com

Project: \_\_\_\_\_  
 Description: \_\_\_\_\_  
 Project Number: \_\_\_\_\_  
 Client: \_\_\_\_\_  
 Drawing Number: \_\_\_\_\_ Revision: **(A)**  
 Drawn: \_\_\_\_\_  
 Checked: \_\_\_\_\_  
 Date: \_\_\_\_\_ Scale: NTS@A3

**TECHNICAL DRAWING – 2101735 Abseil Anchor to DHS Purlins**

**NOTE:**  
 This product is designed, used, installed and maintained in accordance with supporting technical information and additional conditions.  
 Cable System have been installed to comply with AS/NZS 1891.2. This Cable System is suitable for 1 persons for FALL ARREST ONLY.  
 Reading instruction manual prior to use is essential. To be installed by accredited person. Annual inspection & re-certification is required as per AS/NZS 1891.4:2009.



© Copyright Altasafety Limited  
 Under Copyright law, no part of this document may be reproduced in any form, without prior written permission of ALTA.

Rev	Description	By	Date
A	Issue	JC	26/02/18
B	M12 Anchor Eye to UB	JC	05/12/18
C	M12 Anchor Eye to UB	JC	05/03/19
D	3M abseil anchor to DHS	JC	22/03/19



**Altasafety Limited**  
 Unit 1, 1 Stanburton Lane,  
 Southport, Cheshire, UK  
 Free Phone: 0800 115 396  
 P: +44 1395 9598  
 altasafety.com

Client: \_\_\_\_\_  
 Project Number: \_\_\_\_\_  
 Project: \_\_\_\_\_  
 Drawing Number: \_\_\_\_\_ Revision: **A**  
**GNRC-01**  
 Drawn: \_\_\_\_\_  
 Checked: \_\_\_\_\_  
 Date: \_\_\_\_\_ Scale: 1:3@A3

# Alta Safety

NEW ZEALAND OFFICES

**ALTA  
SAFETY** FALL  
PROTECTION  
SPECIALISTS

## CHRISTCHURCH

Unit 7, 2 Distribution Lane,  
Sockburn, Christchurch 8042

## AUCKLAND

B7 / 930 Great South Road  
Penrose, Auckland  
1061

## WELLINGTON

Unit 8, 16 Jamaica Drive,  
Grenada North, Wellington  
5028

[design@altasafety.com](mailto:design@altasafety.com)



## TECHNICAL DRAWINGS KEY



Rate to  
15kN



Person  
Capacity



Abseil



Fall Arrest



Restraint  
Technique