

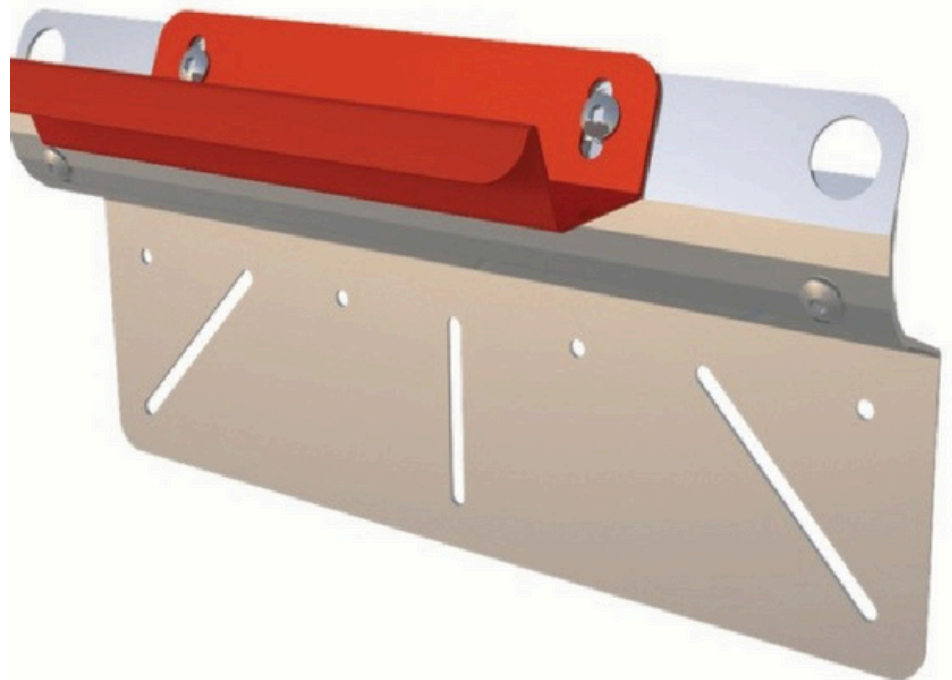
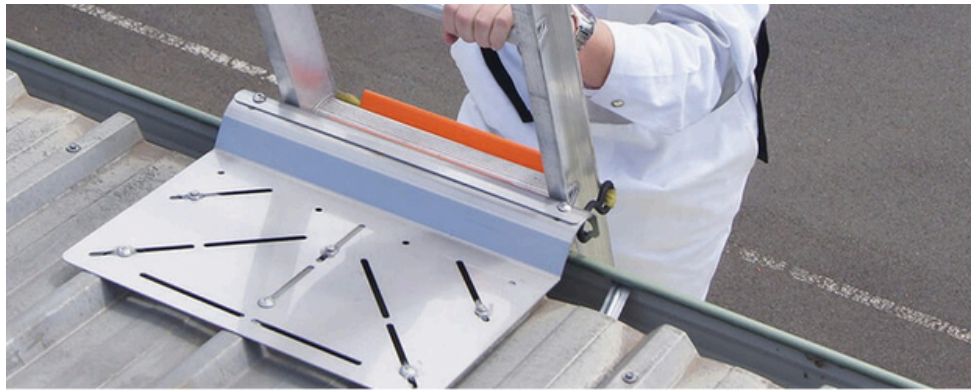
LADDER SUPPORT BRACKETS

KATTSAFE

Ladder Support Bracket

A ladder support bracket provides a secure attachment point for portable ladders preventing movement in any direction – ensuring user safety.

Using a three piece profiled plate construction the slotted locking device allows on site adjustment providing both pitch and angle variation of the ladder support ensuring maximum stability and safety of the user.



HOW IT IS USED

Positioned on the edge of the roof with rung support protruding the gutter edge or fixed to the external face to allow supportive attachment.

HOW IT WORKS

Ladder rests on the ladder tie off flange and not the gutter or fascia. The Katt ladder support bracketed can be fixed to various surfaces and has a working load limit of 120kg.

PERFORMANCE

Kattsafe ladder support brackets conform to AS 1651:2018 fixed platforms, walkways, stairways and ladders, design, construction and installation.

INSTALLATION

Support structure integrity, suitability and fixing method to be assessed and determined by a competent person prior to installation.

MAINTENANCE

Visual inspection for any damage or loose fixings must be done periodically and prior to installation. No certified maintenance required. Basic wear and tear preventative maintenance is recommended as per manufacturer's specifications and recommendations.

WARRANTY

10 years from date of purchase subject to correct installation, use and maintenance in accordance with manufacturer's specifications and recommendations. Excludes powder coating.



ENVIRONMENTAL

Alta Safety is committed to reducing its impact on the environment.

We will strive to improve our environmental performance over time and to initiate additional projects and activities that will further reduce our impacts on the environment.

Our commitment to the environment extends to our customers, our staff, and the community in which we operate. We are committed to supplying products with primary components made of recyclable material and is supplied with minimum packaging to retain its structure and integrity during transit.

We will continually measure our environmental impacts and aim to reduce these impacts.



LADDER SUPPORT BRACKET

Ladder support brackets for easy and secure ladder positioning



Pitch adjustment

Allows attachment to varying roof pitches.



Ladder rung support

Easy visibility and ladder attachment.



Tie off points

Provides additional facility to secure ladder.



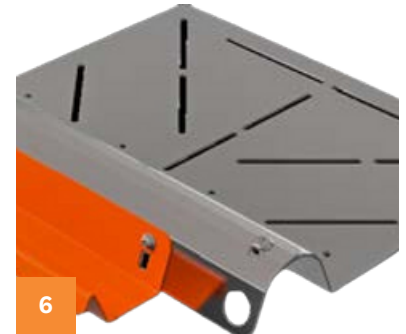
Fixing slots

Ensures easy location for attachment to structure.



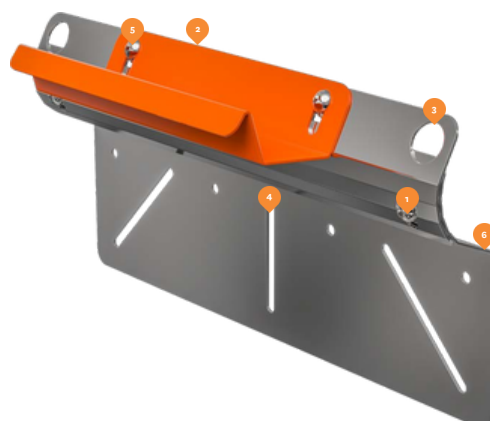
Ladder angle adjustment

Allows attachment to angled surfaces with rung support kept level.



Stainless steel

Heavy duty industrial grade construction.



The ladder support brackets for easy access onto roofs with no permanent access options, and preventing movement in any direction.

The profiled stainless steel plate is lightweight, making installation simple. Angle and pitch can be adjusted easily to suit the access situation, and the brackets are available in two mounting option, wall mount and gutter /parapet mount.

Features and benefits of the system:

- Easy instalation with fixing slots.
- Lightweight stainless steel construction.
- Available in wall mount or gutter/parapet mount options.
- Adjustable pitch and angle for easy ladder mounting.
- 150kg rated



LADDER SUPPORT BRACKET RANGE

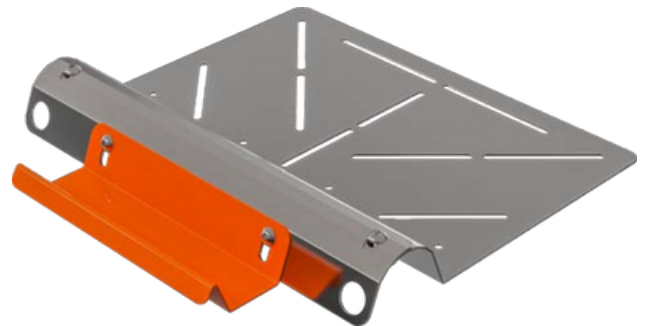
LD401 Wall mount

For mounting to vertical walls

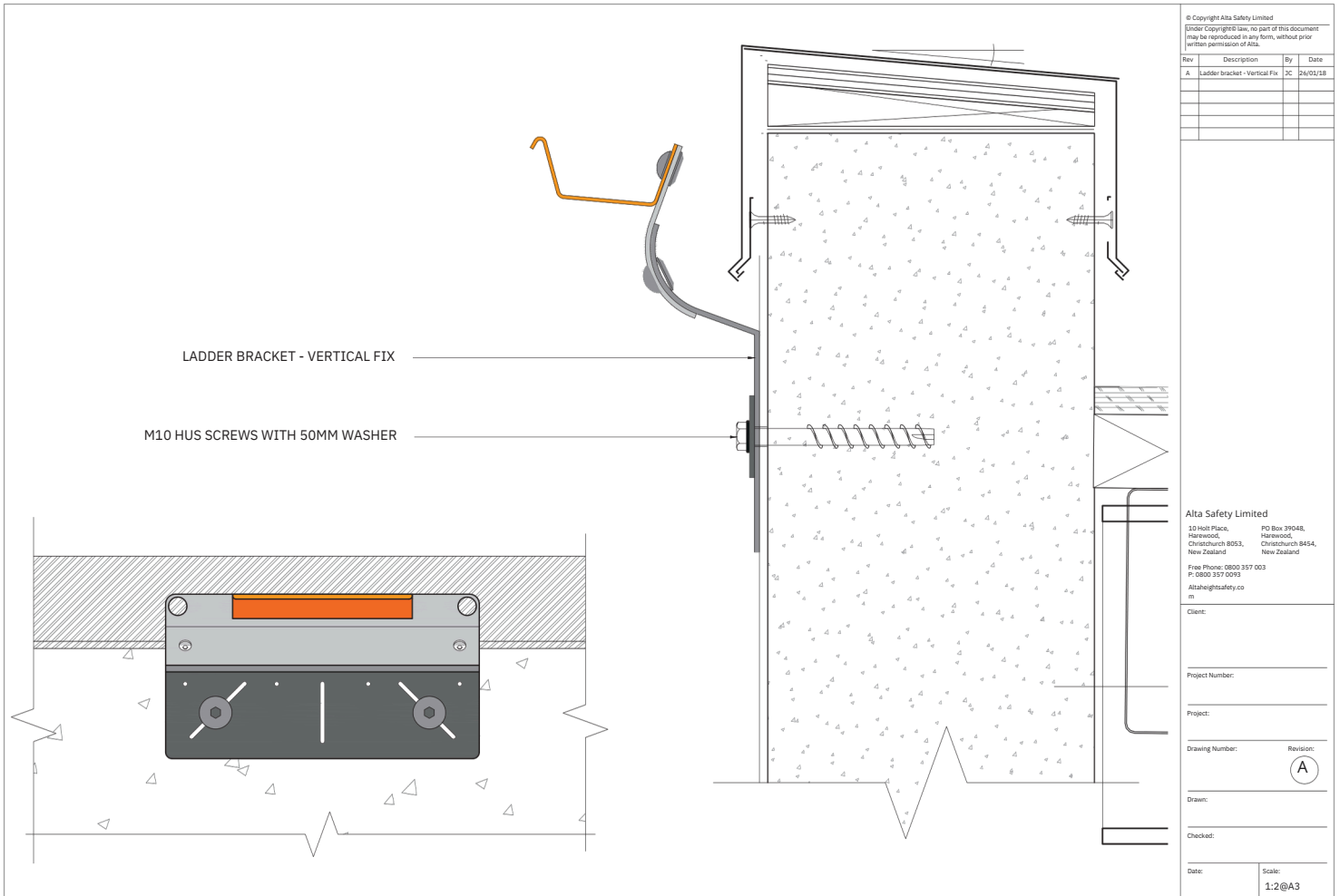


LD402 Parapet/gutter mount

For mounting to gutters or parapets



TECHNICAL DRAWING – Wall fixed Ladder Bracket

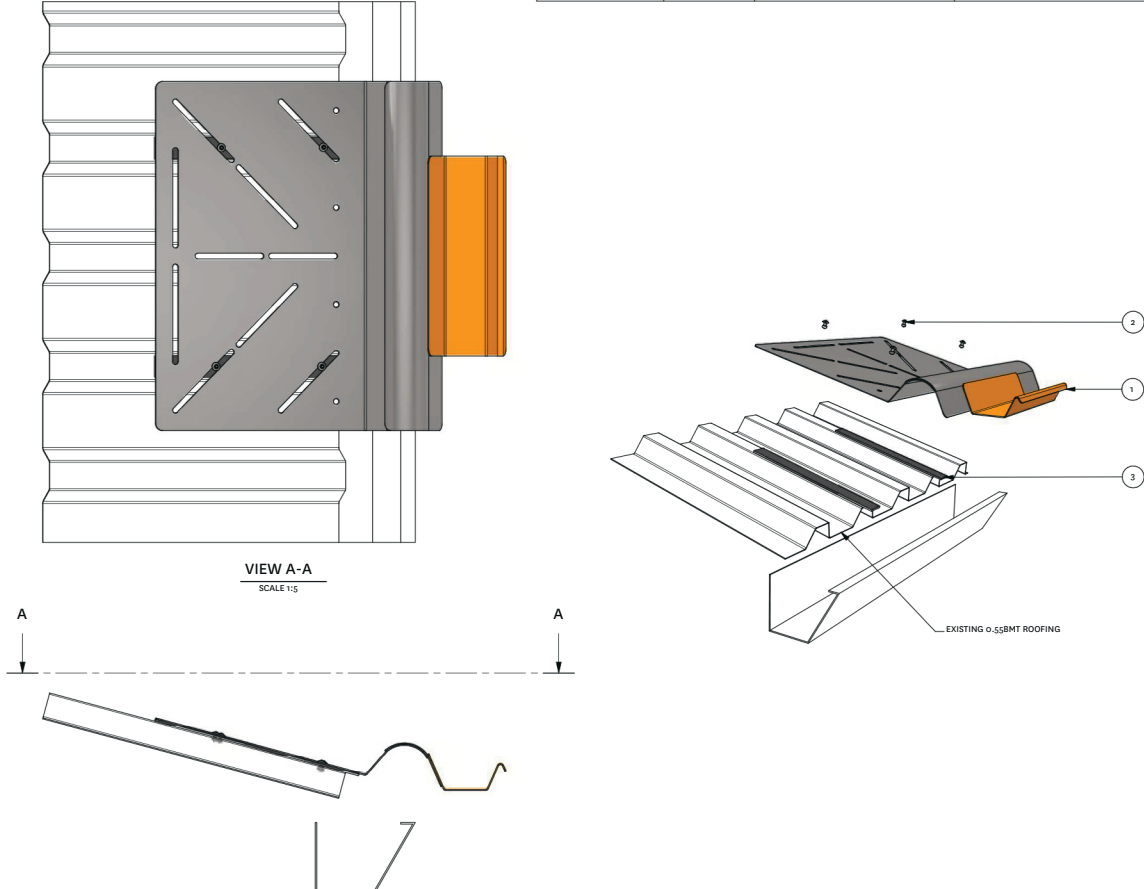


TECHNICAL DRAWING – Ladder Bracket to Trapezoidal Roof

PARTS LIST			
ITEM	QTY	PART NUMBER	DESCRIPTION
1	1	420 188	KATT LD402 SUPPORT BRACKET WALL 8mm BULBTITE RIVET
2	4	420 161	- ALU 3mm CLOSED CELL FOAM TAPE FOR SEPARATION
3	2	410 061	

© Copyright Alta Safety Limited
Under Copyright law, no part of this document may be reproduced in any form, without prior written permission of Alta.

REVISION HISTORY			
REV	DESCRIPTION	DRWN	DATE
A	FIRST ISSUE		



VIEW A-A
SCALE 1:5

EXISTING 0.55BMT ROOFING

ALTA SAFETY FALL PROTECTION SPECIALISTS

10 Holt Place
Hampstead
Christchurch 8053
New Zealand
Alta Safety Limited
Free Phone: 0800 227 003
Ph: 0800 227 003

PO Box 39048
Hampstead
Christchurch 8454
New Zealand

Altahightsafety.com

Client: _____

Description:
**Ladder Bracket to Trapezoidal
0.55mm Steel Roofing**

Project Number: _____

Project: _____

Drawing Number: _____ Sheet Size: **A3**

Drawn: _____

Checked: _____

Date: _____ Scale: _____

1/5

TECHNICAL SPECIFICATION

Ladder support brackets LD401, LD402

Ladder support bracket which provides a secure attachment point for portable ladders. System design, supply, layout, installation and certification by a Kattsafe approved installer, as per the manufacturer's installation instructions and current standards.

Materials

Profiled stainless steel, powder coated

Dimensions

LD401: 480 (W) x 160 (D) x 240mm (H)

LD402: 480 (W) x 480 (D) x 70mm (H)

Weight

LD401: 2.3kg

LD402: 3.7kg

Fixings (refer to installation manual)

- Timber fixing: 14g/type 17 Tek screw x 4
- Metal fixing: 8mm bulb type rivet x 6 OR 14g into structure x 4
- Concrete fixing: 8mm x 75 screw bolt x 3 OR wedge type anchor x 3
- Steel structure: 8mm bolt set x 3

Substructure requirements

Support structure integrity, suitability and fixing method to be assessed and determined by a competent person prior to installation.

Rating

- 150kg rated, single person use

Compliance

Kattsafe

Rating

- 12kN single person use + rescue
- 400kg safe working load

Compliance

Kattsafe's davit is designed to conform with requirements of the Australian & New Zealand Standards AS/NZS 5532:2013 AS/NZS/ISO22846, AS/NZS1891 and relevant codes of practices and guidelines.

Testing

- Testing and performance based on requirements of Australian Standard AS/NZS 1891 and AS/NZS 5532.
- Dynamic load test - 15kN
- Static load test - 12kN

Product Warranty

10 Years from date of purchase subject to correct installation. Use and maintenance to be in accordance with manufacturer's specifications and recommendations. (This excludes wearing parts).

Inspection and Maintenance

10 Years from date of purchase subject to correct installation. Use and maintenance to be in accordance with manufacturer's specifications and recommendations. (This excludes wearing parts).

Important Note

Failure to supply and/or install proprietary product in accordance with above standards and codes, specifications and instructions voids complete system certification and/or warranty.

WARRANTY INFORMATION

Warranty period on this system: 10 years from date of purchase.

Should you have a warranty claim as a result of a defect the following procedure must be followed:

Identify the following information:

- The product/system name and code number.
- The date of purchase/installation.
- Installation company details.
- The installation identification number.
- The name of the company using this system.
- A description of the defect/warranty claim.
- The periodic system maintenance report.
- Forward the above information to design@altasafety.co.nz
- or contact technical helpline, 0800 115 396.

Terms and Conditions

- All warranty claims must be made in writing within 14 days of the appearance of the defect.
- Incorrect installation or work done by a non-accredited Alta system installer will void all warranty rights. Systems that have been installed using non-proprietary equipment will void all warranties.
- System roof/cladding and concrete penetration seals are not covered in this warranty.
- Systems/components that have not been maintained in accordance with manufacturer's/legislative requirements will void warranty.
- Systems used by incompetent persons or use with non-compatible accessories ie. harness gear, lanyards, travellers, fall arrestors etc. will void warranty.
- Systems/components used for purposes other than their intended use will void warranty.
- General wear and tear is expected and will depend on the frequency of use and is not covered by warranty.

Alta Safety

NEW ZEALAND OFFICES

**ALTA
SAFETY** FALL
PROTECTION
SPECIALISTS

CHRISTCHURCH

Unit 7, 2 Distribution Lane,
Sockburn, Christchurch 8042

AUCKLAND

B7 / 930 Great South Road
Penrose, Auckland
1061

WELLINGTON

Unit 8, 16 Jamaica Drive,
Grenada North, Wellington 5028

design@altasafety.com



TECHNICAL DRAWINGS KEY



Rate to
15kN



Person
Capacity



Abseil



Fall Arrest



Restraint
Technique