

Structurally Mounted Cable

3M

Horizontal Structurally Mounted Cable Static Line

A robust, structurally mounted, permanent 8mm Horizontal Lifeline (HLL) with a range of wall, roof and overhead application options.

Providing continuous attachment and full pass through design, the innovative traveller simply glides through the intermediate anchors ensuring no disconnection is required.

HOW IT IS USED

Targeted to meet the needs of transport and industrial applications. Can be mounted overhead, wall or floor level. Specifically designed for work at height on trains, trucks, aircraft, crane walkways, loading bays and in the entertainment and stadium industry.

Supports heavy fall arrest, self-retracting lifelines and controlled rate descent devices up to 15kg - ensuring free and unhindered movement for workers when carrying out work at height.

Allows up to 60m single span for one user and up to 30m single span for multiple users.



HOW IT WORKS

3M 8mm HLL is designed to arrest a fall. High capacity energy absorbers ensure peak force is reduced in the event of a fall.

Allows users complete freedom of movement to carry out their work uninterrupted, in a continuous straight line and around corners.



PERFORMANCE

Conforms to AS/NZS 1891.2:2001- Industrial fall-arrest systems and devices - Horizontal lifeline and rail systems safety standards, AS/NZS 1891.4:2009 - industrial fall-arrest systems and devices - selection, use and maintenance.

INSTALLATION

Installation must be carried out by an accredited 3M Fall Protection Certified Technician, and in accordance with the manufacturer's installation instructions. 3M proprietary software is used to help calculate load and aid in design.

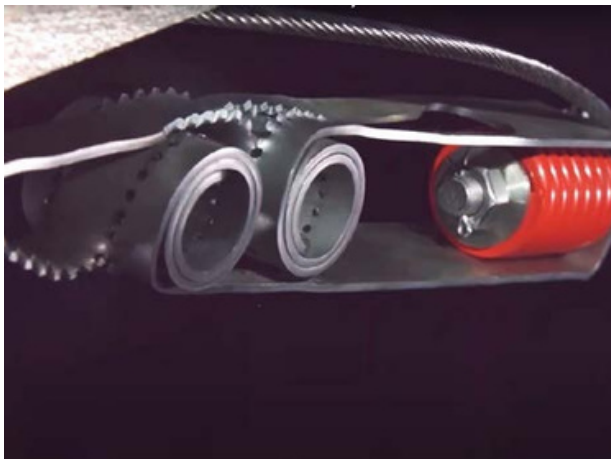
MAINTENANCE

As per AS/NZS 1891.4 - 3M 8mm HLL must be certified every 12 months by an accredited 3M Fall Protection Certification technician. All of the exposed materials in the system have specified as naturally corrosion resistant, or have been coated with sacrificial coatings to prevent oxidation of the base material. It is important to consider that in some environments the system may need to be cleaned to gain the best possible life expectancy from the materials.



WARRANTY

3M™ warrants the 8mm Horizontal Lifeline (HLL) Safety System “the system” and its component parts against factory defects in workmanship and materials for 10 years from its date of original purchase from 3M. The system must be installed in accordance with 3M's installation instructions. The system is inspected in accordance with 3M's inspection instructions and annually recertified by a certified installer. Fixings must be tested at installation and then at least once a year and recorded in accordance with 3M's installation instructions. The system must be owned by the person making the warranty claim. The system has been properly used and maintained in accordance with its user Instruction Manual.



ENVIRONMENTAL

Alta Safety is committed to reducing its impact on the environment.

We will strive to improve our environmental performance over time and to initiate additional projects and activities that will further reduce our impacts on the environment. Our commitment to the environment extends to our customers, our staff, and the community in which we operate. We are committed to supplying products with primary components made of recyclable material and is supplied with minimum packaging to retain its structure and integrity during transit.

We will continually measure our environmental impacts and aim to reduce these impacts.


TECHNICAL DRAWING – HLL Cable to Concrete Plinth

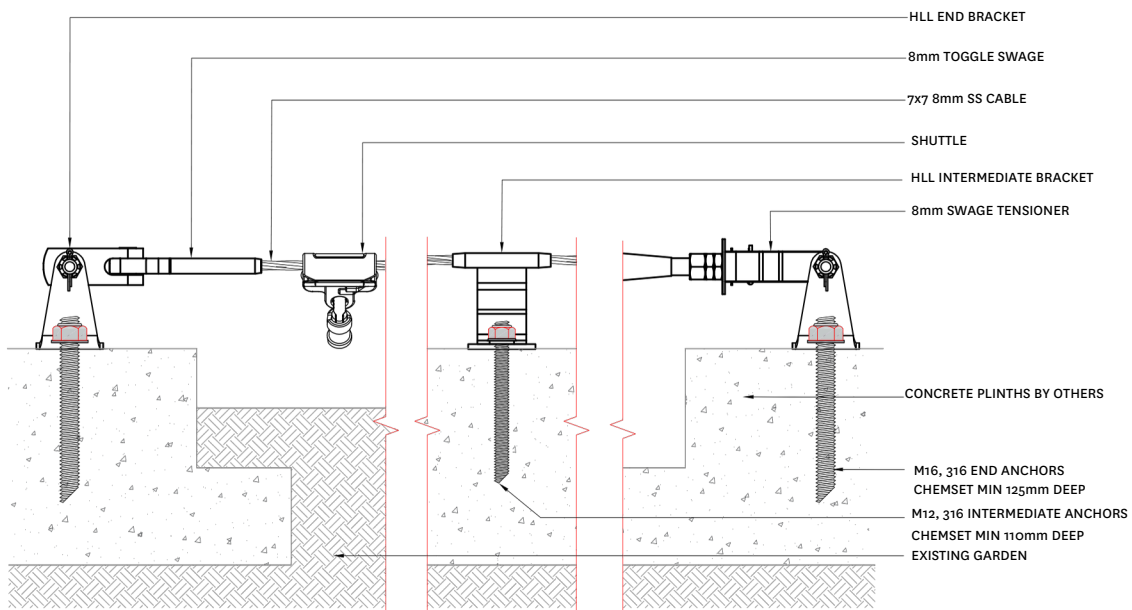
NOTE : is product is designed, used, installed and maintained in accordance with supporting technical information and additional conditions. Cable System have been installed to comply with AS/NZS 1891.2. is Cable System is suitable for FALL ARREST. Refer to PS1. Reading instruction manual prior to use is essential. To be installed by accredited person. Annual inspection & re-certification is required as per AS/NZS 1891.4:2009.

© Copyright Alta Safety Limited Under Copyright

Draw: no part of this document may be reproduced in any form, without prior written permission of Alta.

Rev	Description	By	Date
A	ISSUE	NTS	29/11/2020

 MAX 2 PERSONS



Alta Safety Limited

10 Holt Place,
Mairangi,
Christchurch 8053,
New Zealand

Free Phone: 0800 115 396
P: 03 353 5539
altasafety.com

Project: _____

Description: _____

Project Number: _____

Client: _____

Drawing Number: _____ Revision: _____

A

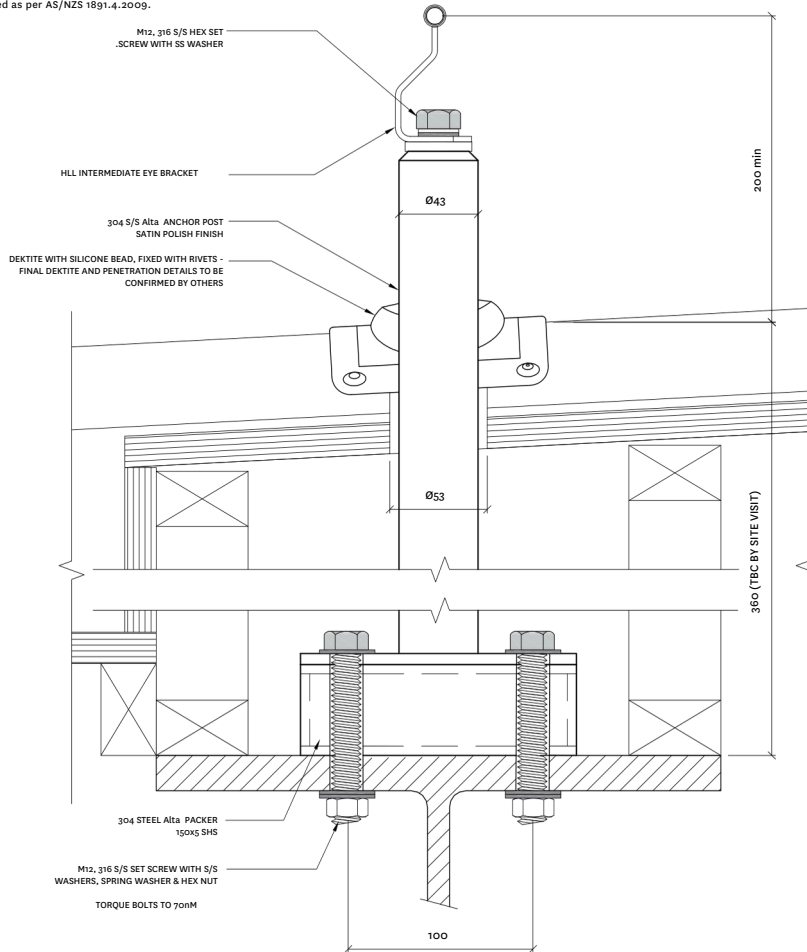
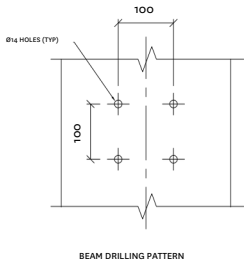
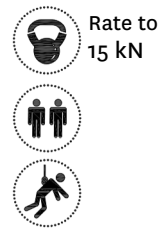
Drawn: _____

Checked: _____

Date: _____ Scale: NTS@A3

TECHNICAL DRAWING – HLL Cable System Intermediate Post Detail

NOTE: Is product is designed, used, installed and maintained in accordance with supporting technical information and additional conditions. Cable System have been installed to comply with AS/NZS 1891.2. Is Cable System is suitable for FALL ARREST ONLY. Reading instruction manual prior to use is essential. To be installed by accredited person. Annual inspection & re-certification is required as per AS/NZS 1891.4.2009.



© Copyright Alta Safety Limited

Under Copyright law, no part of this document may be reproduced in any form, without prior written permission of Alta.

Rev	Description	By	Date
A	ISSUE	ML	04/04/2020 ML
B	ISSUE REVISED	ML	22/04/2020 ML
C	ISSUE REVISED	ML	05/05/2020 ML
D	ISSUE REVISED	ML	17/09/2020 ML



Alta Safety Limited

1st Floor,
Hawwood,
Christchurch Regd.
New Zealand

Free Phone: 0800 115 396
P: 03 953 0599
altasafety.com

Project:

Gangway Shelter

Description:

Project Number:

Client:

Drawing Number:

Revision:

D

Drawn:

Checked:

Date:

Scale:
NTS@A3

TECHNICAL DRAWING – HLL Cable System Structurally Mounted

MAX 2 PERSONS

PARTS LIST			
I	QTY	PART NUMBER	DESCRIPTION
TEM	11	40038 5	End Straight Eye Wall/ Floor Mount Hex Swage Stud Pass rough 150 RSC Cable
2		40000 0	8mm 7x7 Cable

© Copyright Alta Safety Limited
Under Copyright law, no part of this document may be reproduced in any form, without prior written permission of Alta.

REVISION HISTORY			
REV	AFFECT ISSUES/ DESCRIPTION	DRAWN	DATE

NOTE:
This product is designed, used, installed and maintained in accordance with supporting technical information and additional conditions. Cable System have been installed to comply with AS/NZS 1891.2, is Cable System is suitable for 2 persons for FALL ARREST ONLY. Refer to FS1: Reading instruction manual prior to use is essential. To be installed by accredited person. Annual inspection & re-certification is required as per AS/NZS 1891.4:2009.

M12 NUT WELDED TO BACK OF END PLATE

SECTION A-A
SCALE 1:3

ALTA SAFETY

Alta Safety Limited
10 Hibb Place,
Haverhill,
Christchurch 8053,
New Zealand

Free Phone: 0800 115 396
P: 03 365 0359
altasafety.com

Client: _____

Description: _____

Project Number: _____

Project: _____

Drawing Number: _____ Sheet Size: A3

Drawn: _____

Checked: _____

Date: _____ Scale: 1:3

Alta Safety

NEW ZEALAND OFFICES

**ALTA
SAFETY** FALL
PROTECTION
SPECIALISTS

CHRISTCHURCH

Unit 7, 2 Distribution Lane,
Sockburn, Christchurch 8042

AUCKLAND

B7 / 930 Great South Road
Penrose, Auckland 1061

WELLINGTON

Unit 8, 16 Jamaica Drive,
Grenada North, Wellington 5028

design@altasafety.com



TECHNICAL DRAWINGS KEY



Rate to
15kN



Person
Capacity



Abseil



Fall Arrest



Restraint
Technique