

Aluminium Rail Abseil System

3M

Bomac Altrac Overhead Aluminium Rail Abseil System

A system designed for overhead abseiling fall protection; it is extremely versatile, lightweight, low-maintenance and aesthetically pleasing.

There are many applications for this product; maintenance of trucks, trains, aeroplanes, internal and external glass/atrium cleaning and more.



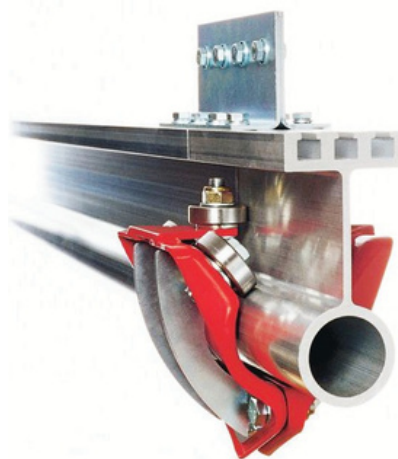
HOW IT IS USED

Provides security for those who work at height, by providing a reliable and safe abseil system. Altrac accommodates multiple users without displacement. The permanently fixed trolleys provide smooth uninterrupted access along the length of the rail.

Altrac is used by hundreds of organisations around the globe, in industries as diverse as manufacturing, tourism, education and construction.

HOW IT WORKS

It slots on the top face of the extrusion allow for a wide range of mounting options to cater for variations in heights, lengths and angles. The circular rolling track section does not become contaminated by the build-up of dirt, dust or foreign matter and can be easily inspected and cleaned as required.



PERFORMANCE

Conforms to AS/NZS 1891.2:2001 - Industrial fall-arrest systems and devices - Horizontal lifeline and rail systems, AS/NZS 1891.4:2009 - industrial fall-arrest systems and devices - selection, use and maintenance, AS/NZS 4488.2:1997 Industrial Rope Access Systems - selection use and maintenance.

INSTALLATION

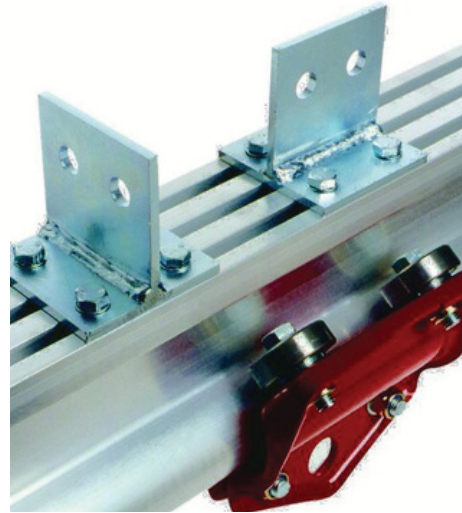
Installation should be carried out by a manufacturer trained technician who is familiar with the parameters of fall arrest and abseil systems.

MAINTENANCE

As per AS/NZS 1891.4 Bomac Altrac must be certified every 12 months by a qualified height safety equipment inspector. All of the exposed materials in the system have specified as naturally corrosion resistant, or have been coated with sacrificial coatings to prevent oxidation of the base material. It is important to consider that in some environments the system may need to be cleaned to gain the best possible life expectancy from the materials.

WARRANTY

Bomac Altrac system overhead rail system has a product warranty of 10 years from the date of installation. The warranty is invalidated if inspections are not maintained every 12 months by a qualified height safety system equipment inspector.



ENVIRONMENTAL

Alta Safety is committed to reducing its impact on the environment.

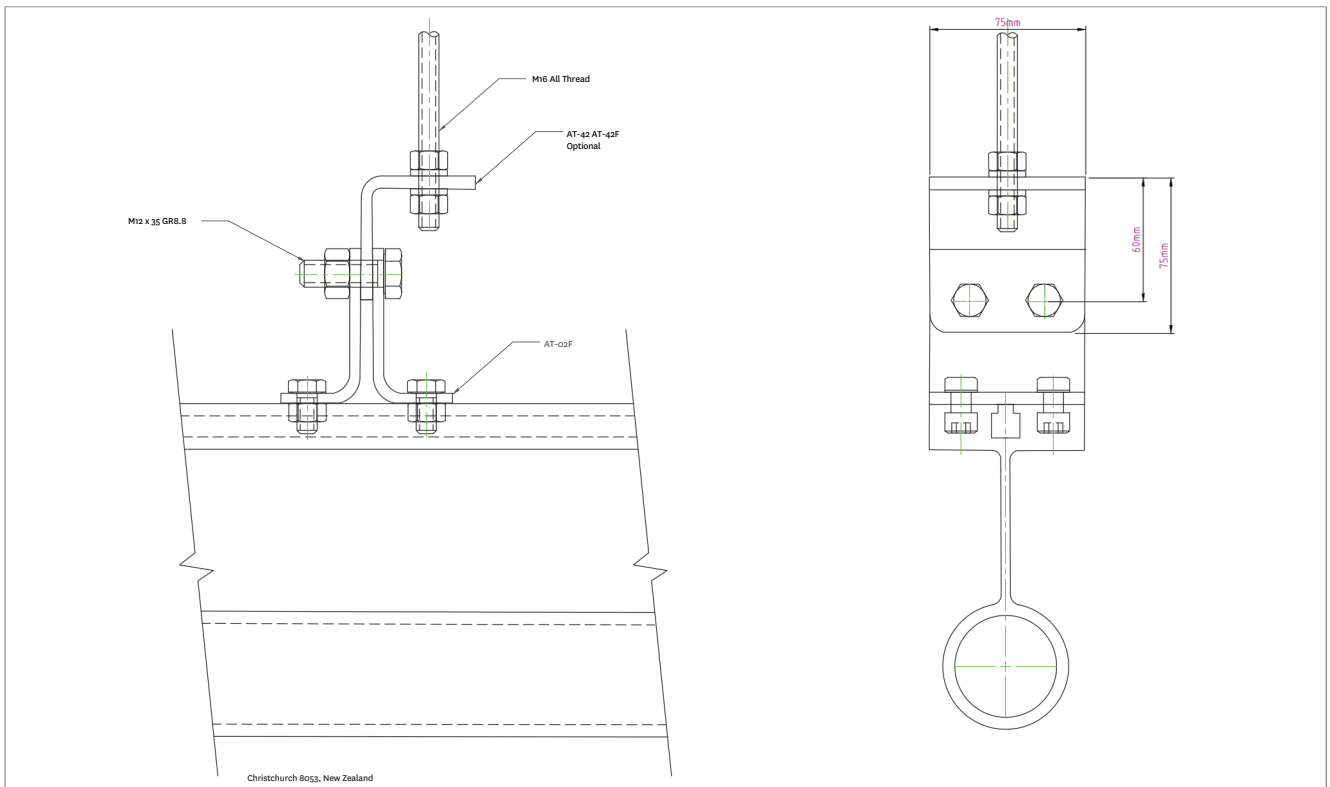
We will strive to improve our environmental performance over time and to initiate additional projects and activities that will further reduce our impacts on the environment.

Our commitment to the environment extends to our customers, our staff, and the community in which we operate. We are committed to supplying products with primary components made of recyclable material and supplied with minimum packaging to retain its structure and integrity during transit.

We will continually measure our environmental impacts and aim to reduce these impacts.



TECHNICAL DRAWING – Bomac Altrac Heavy Duty Adaptor Bracket Mounting



Christchurch 8053, New Zealand



Alta Safety Limited
Free Phone: 0800 115 396
P: 03 365 0529
altaheightsafety.com

10 Holt Place, Harewood,
Christchurch 8454, New Zealand

Copyright © work by Alta Safety Limited

© Copyright Alta Safety Limited
Under Copyright law, no part of this document may be reproduced in any form, without prior written permission of Alta.

Rev	Description	By	Date
A	Heavy Duty Adaptor Bracket Mounting	ABC	15/05/17

Client:	Project Number: NA	Project: Heavy Duty Adaptor Bracket Mounting
Drawing Number: -	Scale: NTS	Date: 15/05/17
Drawn/Rev'd Date:	Revision: ①	Checked:

TECHNICAL DRAWING – Ladd- Bomac Altrac Bolted to Steel UB

SECTION A-A

SCALE 1:5

PARTS LIST			
ITEM	QTY	PART NUMBER	DESCRIPTION
1	1	420233	Altrac Rail
2	1	420234	Altrac UB Bracket

© Copyright Alta Safety Limited
Under Copyright law, no part of this document may be reproduced in any form, without prior written permission of Alta.

REVISION HISTORY			
REV	DESCRIPTION	DRWN	DATE
1	FIRST ISSUE	ML	19/04/20

NOTE :
This product is designed, used, installed and maintained in accordance with supporting technical information and additional conditions. Rail System have been installed to comply with AS/NZS 1891.2 and are rated to 22kN. Rail System is suitable for up to 4 persons for Arrest and Fall Arrest. Engineer to confirm. Reading instruction manual prior to use is essential. To be installed by accredited person. Annual inspection & re certification is required as per AS/NZS 1891.4:2009.

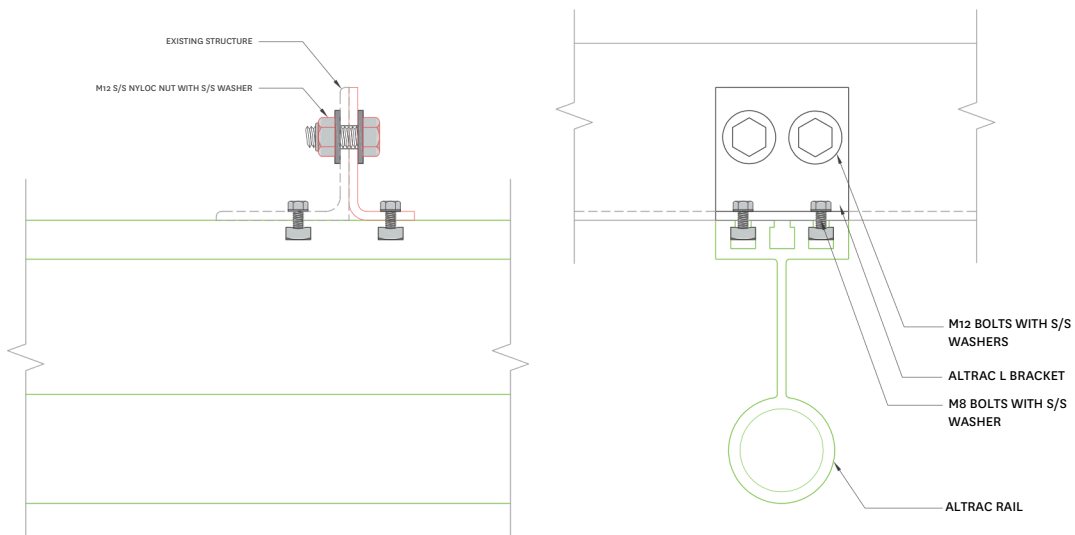
ALTA SAFETY

Alta Safety Limited
10 Hill Place,
Hawwood,
Christchurch 8051,
New Zealand
Free Phone: 0800 115 396
P: 03 345 4519
altasafety.com

Client: _____
Description: _____
Project Number: _____
Project: _____
Drawing Number: _____ Sheet Size: A3
Drawn: _____
Checked: _____
Date: _____ Scale: 1:5

TECHNICAL DRAWING – Bomac Altrac to EA Steel

NOTE :
 is product is designed, used, installed and maintained in accordance with supporting technical information and additional conditions. Rail System have been installed to comply with AS/NZS 1891.2 and are rated to 22kN. is Rail System is suitable for up to 4 persons for Abseil and Fall Arrest. Engineer to confirm. Reading instruction manual prior to use is essential. To be installed by accredited person. Annual inspection & re-certification is required as per AS/NZS 1891.4:2009.



© Copyright Alta Safety Limited Under
 Copyright law, no part of this document
 may be reproduced in any form, without prior
 written permission of Alta.

Rev	Description	By	Date
A	Issue	ML	12/10/2020



Alta Safety Safety Limited
 10 Hob Place,
 Haverwood,
 Christchurch 8001,
 New Zealand
 Free Phone: 0800 115 396
 P: 03 355 9599
 Alta@safety.com

Project: _____
 Description: _____
 Project Number: _____
 Client: _____

Drawing Number: _____ Revision: **A**
 Drawn: _____
 Checked: _____
 Date: _____ Scale: NTS@A3

Alta Safety

NEW ZEALAND OFFICES

**ALTA
SAFETY** FALL
PROTECTION
SPECIALISTS

CHRISTCHURCH

Unit 7, 2 Distribution Lane,
Sockburn, Christchurch 8042

AUCKLAND

B7 / 930 Great South Road
Penrose, Auckland
1061

WELLINGTON

Unit 8, 16 Jamaica Drive,
Grenada North, Wellington 5028

design@altasafety.com



TECHNICAL DRAWINGS KEY



Rate to
15kN



Person
Capacity



Abseil



Fall Arrest



Restraint
Technique