

MODULAR GUARD RAILS

SAFETYLINK

FASTFIT MODULAR GUARD RAILS

Permanent system that provides safety from falling to elevated areas.

FastFit Guard Rails are suitable for numerous applications where a physical barrier is required to provide safety from falling.



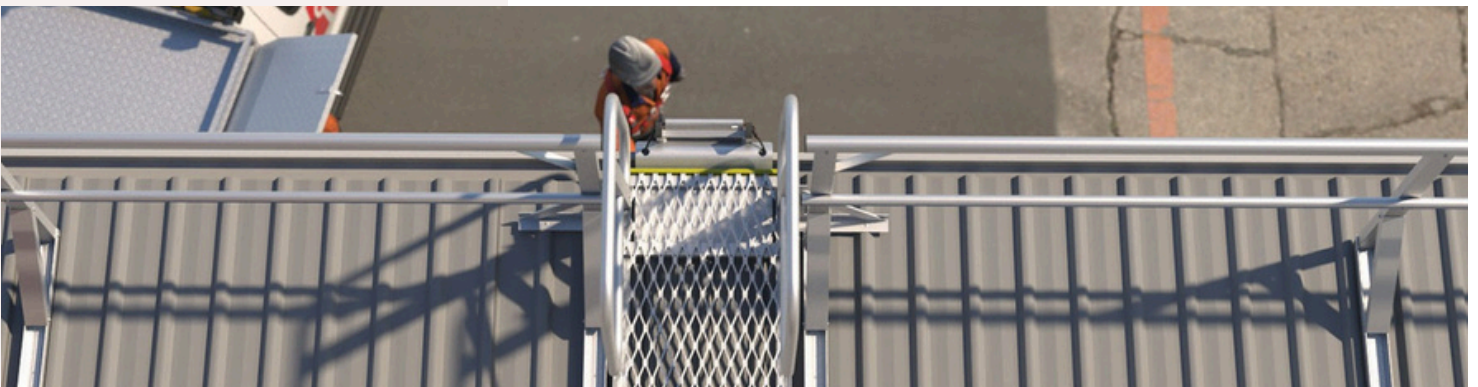
HOW IT IS USED

FastFit Guard Rails can be mounted directly to a roof or to a parapet in areas that have a high risk of falling.

Ideal for use around plant and equipment that requires regular scheduled maintenance.

HOW IT WORKS

Mounted to the roof surface or parapet, Guard Rails provide a compliant barrier to prevent personnel being exposed to a fall hazard.



PERFORMANCE

Safetylink FastFit Guard Rails Conform to AS 1657:2013.

INSTALLATION

Installation should be carried out by a Manufacturer trained installer who have completed the required training modules and hold the relevant training certificates.

MAINTENANCE

Visual inspection for any damage or loose fixings must be done periodically and prior to installation. No certified maintenance required. Basic wear and tear preventative maintenance is recommended as per manufacturer's specifications and recommendations.

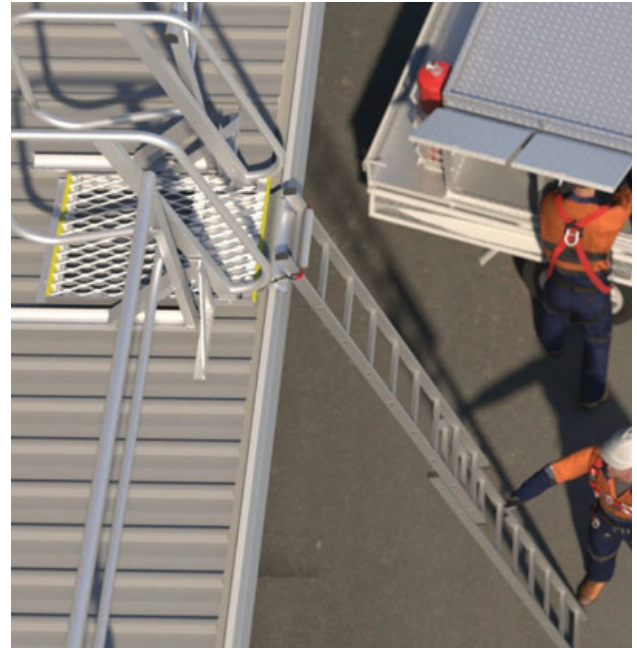
WARRANTY

Warranty for 10 years and 2 years installation.

ENVIRONMENTAL

Alta Safety is committed to reducing its impact on the environment.

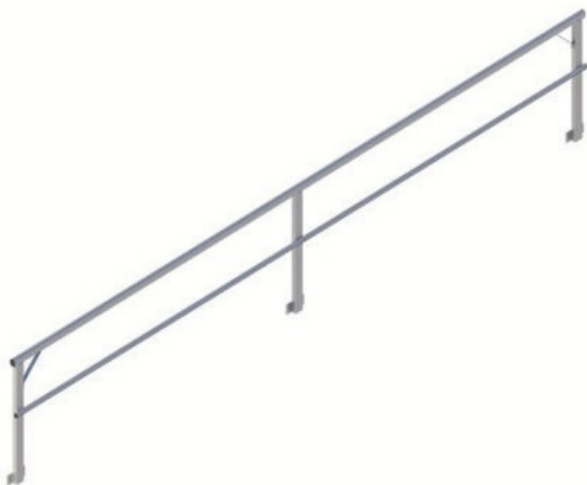
We will strive to improve our environmental performance over time and to initiate additional projects and activities



that will further reduce our impacts on the environment.

Our commitment to the environment extends to our customers, our staff, and the community in which we operate. We are committed to supplying products with primary components made of recyclable material and is supplied with minimum packaging to retain its structure and integrity during transit.

We will continually measure our environmental impacts and aim to reduce these impacts.



Folding FastFit Guardrail - Concrete Base Mount



© Copyright Alta Safety Limited
Under Copyright law, no part of this document may be reproduced in any form, without prior written permission of Alta.

Rev	Description	By	Date



Alta Safety Limited

Unit 7, 2 Distribution Lane,
Sockburn, Christchurch, 8042

Free Phone: 0800 115 396
P: +64 3 365 0529

altasafety.com

Client: _____

Project Number: _____

Project: _____

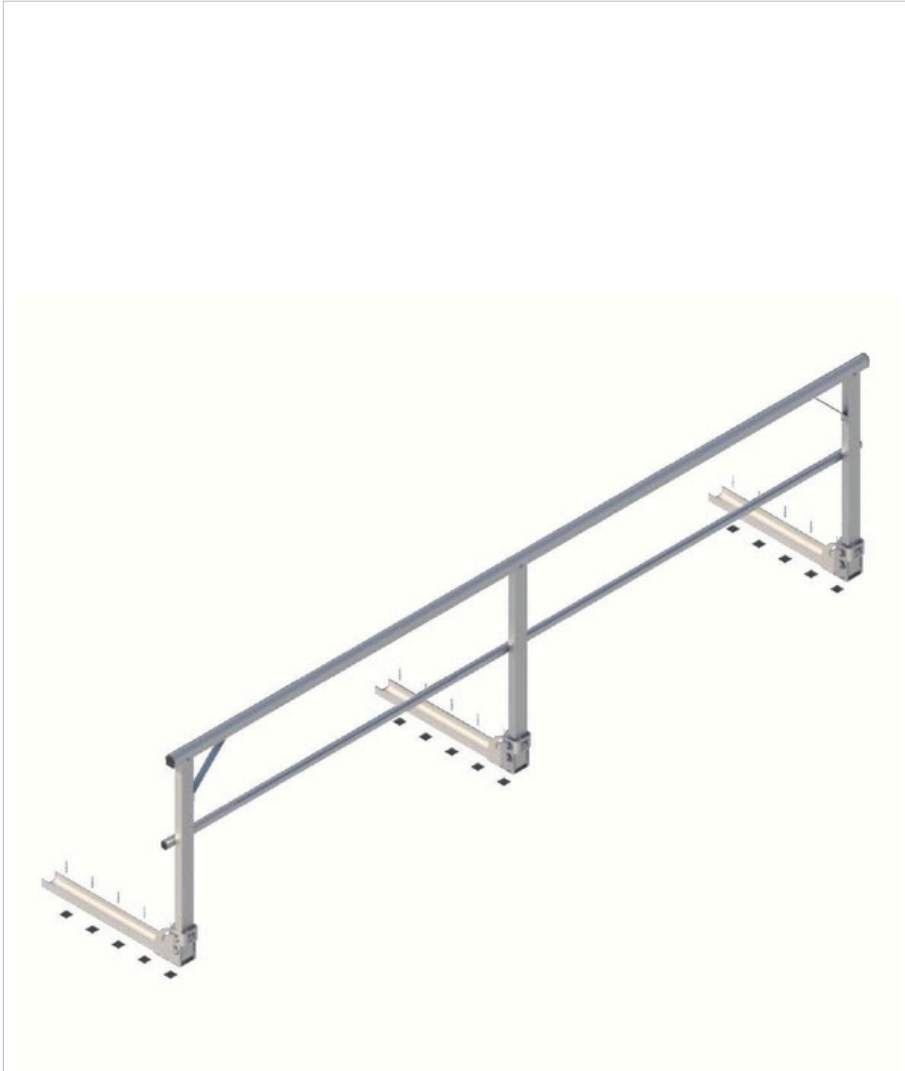
Drawing Number: _____ Revision: **A**

Drawn: _____

Checked: _____

Date: _____ Scale: _____

Folding FastFit Guardrail - Roof Mount



© Copyright Alta Safety Limited
 Under Copyright law, no part of this document
 may be reproduced in any form, without prior
 written permission of Alta.

Rev	Description	By	Date



Alta Safety Limited

Unit 7, 2 Distribution Lane,
 Sockburn, Christchurch, 8042

Free Phone: 0800 115 396
 P: +64 3 365 0529

altasafety.com

Client: _____

Project Number: _____

Project: _____

Drawing Number: _____ Revision: _____

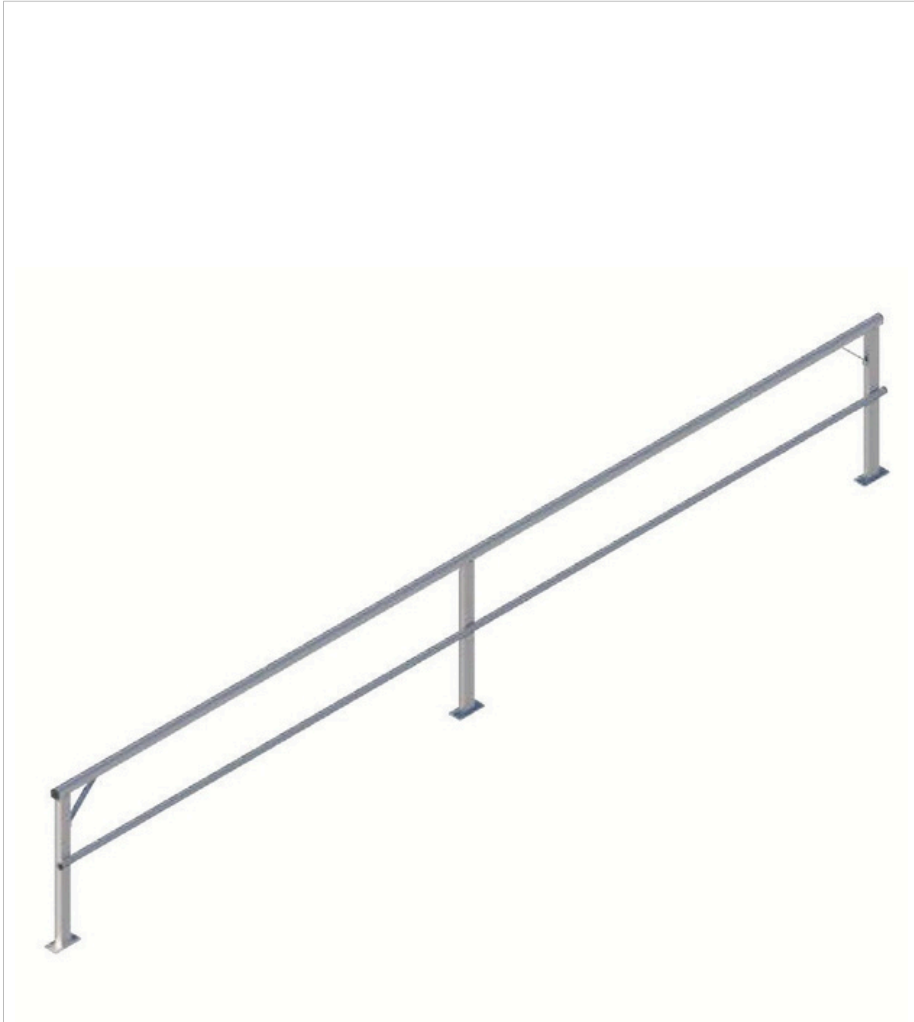


Drawn: _____

Checked: _____

Date: _____ Scale: _____

Fixed FastFit Guardrail - Concrete Base Mount



© Copyright Alta Safety Limited
 Under Copyright law, no part of this document may be reproduced in any form, without prior written permission of Alta.

Rev	Description	By	Date



Alta Safety Limited

Unit 7, 2 Distribution Lane,
 Sockburn, Christchurch, 8042

Free Phone: 0800 115 396
 P: +64 3 365 0529

altasafety.com

Client: _____

Project Number: _____

Project: _____

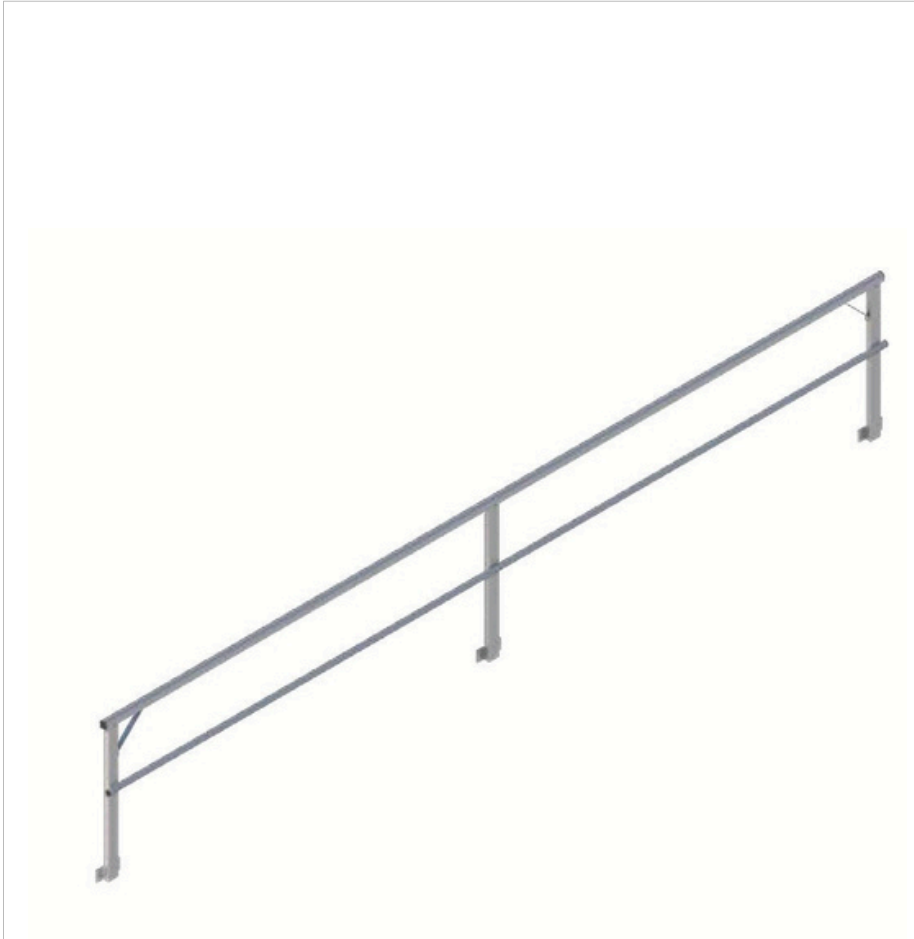
Drawing Number: _____ Revision: **A**

Drawn: _____

Checked: _____

Date: _____ Scale: _____

Fixed FastFit Guardrail - Concrete Side Mount



© Copyright Alta Safety Limited
Under Copyright Law, no part of this document may be reproduced in any form, without prior written permission of Alta.

Rev	Description	By	Date



Alta Safety Limited

Unit 7, 2 Distribution Lane,
Sockburn, Christchurch, 8042

Free Phone: 0800 115 396
P: +64 3 365 0529

altasafety.com

Client:

Project Number:

Project:

Drawing Number:

Revision:

A

Drawn:

Checked:

Date:

Scale:

Alta Safety

NEW ZEALAND OFFICES

**ALTA
SAFETY** FALL
PROTECTION
SPECIALISTS

CHRISTCHURCH

Unit 7, 2 Distribution Lane,
Sockburn, Christchurch 8042

AUCKLAND

B7 / 930 Great South Road
Penrose, Auckland
1061

WELLINGTON

Unit 8, 16 Jamaica Drive,
Grenada North, Wellington
5028

design@altasafety.com



TECHNICAL DRAWINGS KEY



Rate to
15kN



Person
Capacity



Abseil



Fall Arrest



Restraint
Technique